



PFM Step-up DC/DC Converter, ME2110 Series

General Description

ME2110 Series is a PFM Step-up DC/DC converter IC with low supply current by CMOS process. High frequency noise that occurs during switching is reduced by using advanced circuit designed, output voltage is programmable in 0.1V steps between 1.8~6.0V. A low ripple, high efficiency step-up DC/DC converter can be constructed of ME2110Xxx with only three external components. Also available is a CE (chip enable) function that reduce power dissipation during shut-down mode. ME2110Xxx is suitable for use with battery-powered instruments with low noise and low supply current.

Typical Application

- Power source for battery-powered equipment
- Power source for wireless mouse, wireless keyboard, toys, cameras, camcorders, VCRs, PDAs, and hand-held communication equipment
- Power source for appliances which require higher cell voltage than that of batteries used in the appliances

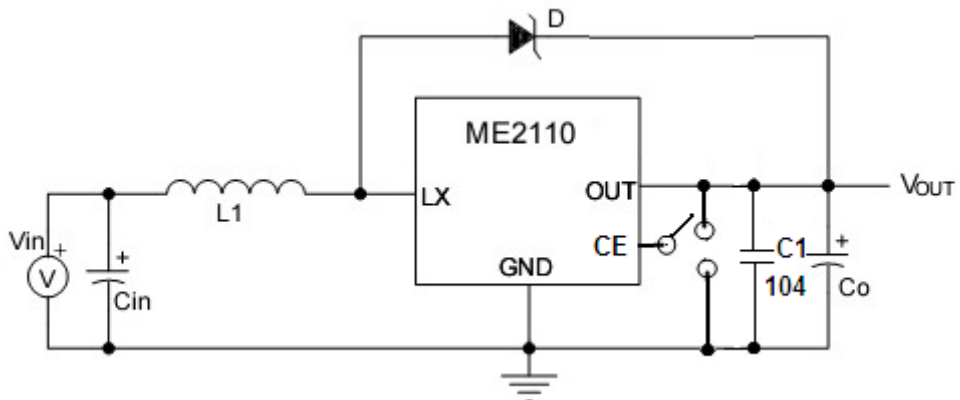
Features

- Low ripple and low noise
- Operating voltage range: 0.9V~6.0V
- Output voltage range: 1.8V~6.0V(step 0.1V)
- Output voltage accuracy: $\pm 2\%$
- Output Current: If $V_{IN}=1.2V$ and $V_{OUT}=1.9V$, then $I_{OUT}=100mA$
- Low start voltage: $\leq 0.9V$ (at $I_{OUT}=1mA$)
- Maximum oscillator frequency: 360KHz (TYP. ME2110C25)
- High Efficiency: 85% (TYP.)

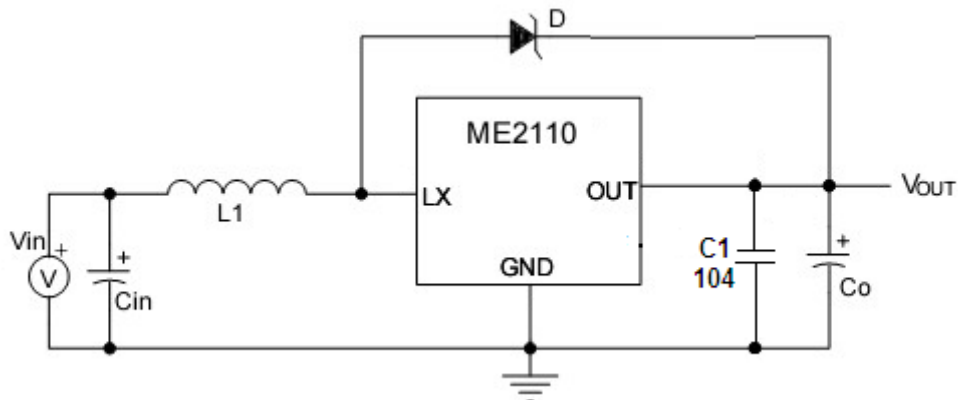
Package

- 3-pin SOT89-3、SOT23-3
- 5-pin SOT23-5

Typical Application circuit



ME2110C

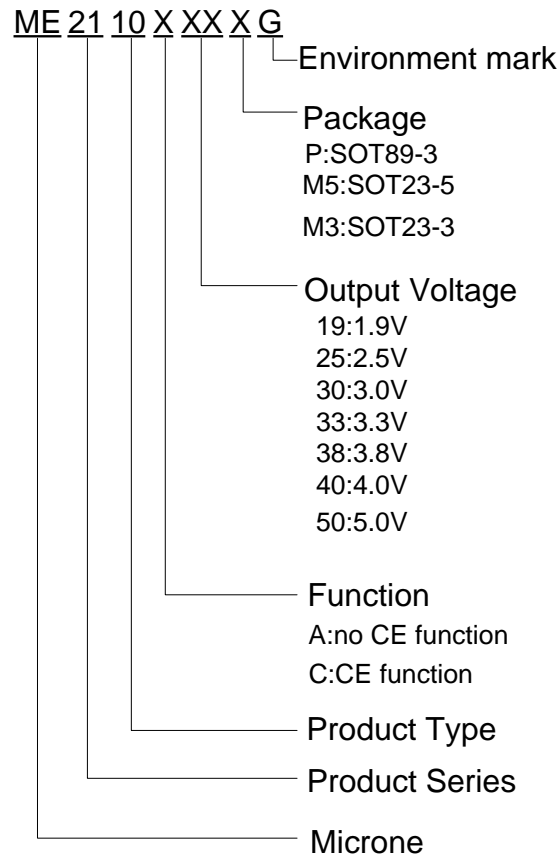


ME2110A

Components

- Inductor: 22 μ H(Sumida)
- Diode: IN5817、IN5819
- Capacitor: C_{in} , C_o : 100 μ F/16V(Tantalum Capacitor), $C1$:104.

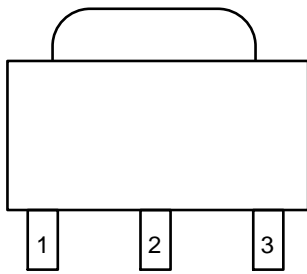
Selection Guide



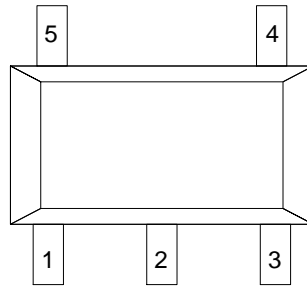
Type	Package	Output Voltage	Switching Transistor	CE	Feature
ME2110A50PG	SOT89-3	5.0V	Build in Transistor	No	Lx
ME2110A33M3G	SOT23-3	3.3V	Build in Transistor	No	Lx
ME2110A38PG	SOT89-3	3.8V	Build in Transistor	No	Lx
ME2110A40PG	SOT89-3	4.0V	Build in Transistor	No	Lx
ME2110A50M3G	SOT23-3	5.0V	Build in Transistor	No	Lx
ME2110C33M5G	SOT23-5	3.3V	Build in Transistor	Yes	Lx CE
ME2110C50M5G	SOT23-5	5.0V	Build in Transistor	Yes	Lx CE

NOTE: At present ,there are seven kinds of voltage value: 1.9V, 2.5V, 3.0V, 3.3V, 3.8V, 4.0V, 5.0V。
If you need other voltage and package, please contact our sales staff.

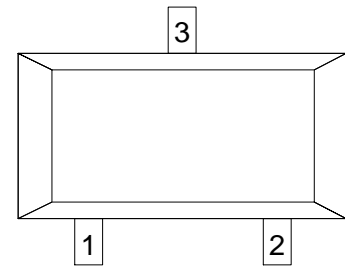
Pin Configuration & Pin Assignment



SOT89-3



SOT23-5



SOT23-3

Pin Assignment

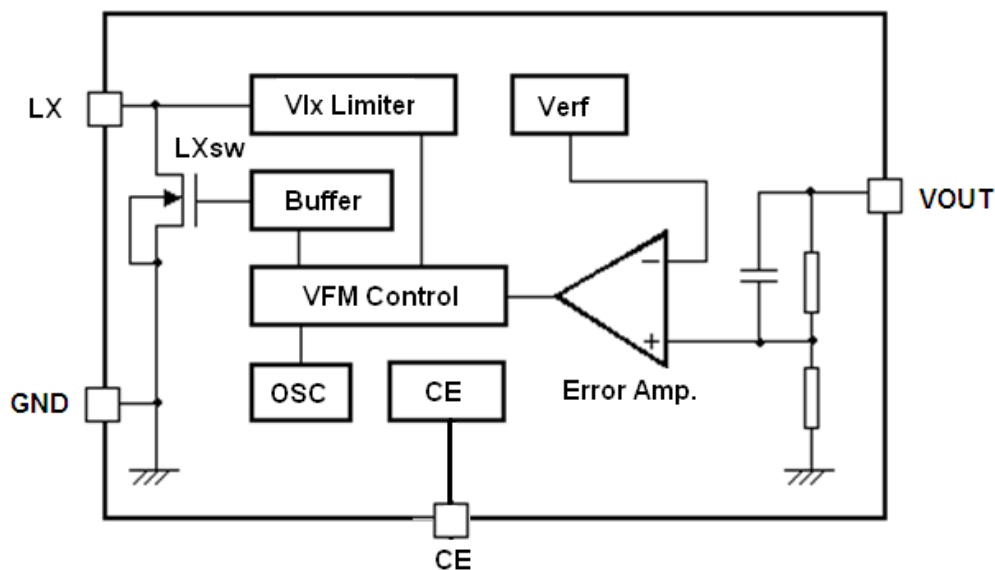
ME2110AXX

PIN Number		Pin Name	Function
SOT89-3	SOT23-3		
1	1	GND	Ground
2	3	V _{OUT}	Output voltage monitor, IC internal power supply
3	2	Lx	Switch

ME2110CXX

PIN Number		Pin Name	Function
SOT23-5			
1		CE	Chip enable
2		V _{OUT}	Output voltage monitor, IC internal power supply
3		NC	NC
4		GND	Ground
5		Lx	Switch

Block Diagram



Absolute Maximum Ratings

PARAMETER		SYMBAL	RATING	UNIT
V_{IN} Input Voltage		V_{IN}	6.5	V
Lx Pin voltage		V_{LX}	6.5	V
CE Pin voltage		V_{CE}	-0.3~ V_{OUT} +0.3	V
Lx Pin current	$V_{OUT}=1.9V\sim 2.5V$	I_{LX}	800	mA
	$V_{OUT}=2.5V\sim 4.0V$	I_{LX}	1300	mA
	$V_{OUT}=4.0V\sim 5.0V$	I_{LX}	2000	mA
Vdd input voltage		V_{dd}	6.5	V
Continuous Total Power Dissipation	SOT89-3	P_d	1.25	W
	SOT23-5	P_d	0.60	W
	SOT23-3	P_d	0.54	W
Thermal resistance (Junction to air)	SOT89-3	θ_{JA}	100	$^{\circ}C/W$
	SOT23-5	θ_{JA}	210	$^{\circ}C/W$
	SOT23-3	θ_{JA}	230	$^{\circ}C/W$
Operating Ambient Temperature		T_{Opr}	-25~+85	$^{\circ}C$
Storage Temperature		T_{stg}	-55~+150	$^{\circ}C$
Maximum junction temperature		T_J	-40~+150	$^{\circ}C$
Soldering temperature and time		T_{solder}	260 $^{\circ}C$, 10s	

Electrical Characteristics

ME2110A19 $F_{osc}=150KHz$ ($V_{IN}=V_{OUT}\times 0.6$, $I_{OUT}=10mA$, $T_{opt}=25^{\circ}C$. Unless otherwise specified)

Symbol	Parameter	Conditions	Min	Typ	Max	Units
V_{OUT}	Output Voltage		$V_{OUT}\times 0.98$	V_{OUT}	$V_{OUT}\times 1.02$	V
V_{start}	Oscillation Start-up Voltage	$I_{OUT}=1mA$, $V_{IN}: 0\rightarrow 2V$	-	0.80	0.90	V
V_{hold}	Oscillation Hold Voltage	$I_{OUT}=1mA$, $V_{IN}: 2\rightarrow 0V$	-	0.45	-	V
I_{DD1}	Supply Current 1	No external component $V_{OUT}=V_{OUT}\times 0.95$,	-	27	-	μA
I_{DD2}	Supply Current 2	$V_{OUT}=V_{OUT}+0.5V$	-	4.5	-	μA
I_{LX}	Lx Switching Current	$V_{LX}=0.4V, V_{OUT}=V_{OUT}\times 0.95$	-	100	-	mA
I_{LXleak}	Lx Leakage Current	$V_{OUT}=V_{LX}=6V$	-	-	0.5	μA
F_{osc}	Oscillation Frequency	$V_{OUT}=\text{set } V_{OUT}\times 0.95$	-	150	-	KHz
Maxdty	Duty Ratio	on(V_{LX} "L")side	-	84	-	%
EFFI	Efficiency		-	85	-	%

ME2110C25 $F_{osc}=360KHz$ ($V_{IN}=V_{OUT}\times 0.6$, $V_{CE}=V_{OUT}$, $I_{OUT}=10mA$, $T_{opt}=25^{\circ}C$. Unless otherwise specified)

Symbol	Parameter	Conditions	Min	Typ	Max	Units
V_{OUT}	Output Voltage		$V_{OUT}\times 0.98$	V_{OUT}	$V_{OUT}\times 1.02$	V
V_{start}	Oscillation Start-up Voltage	$I_{OUT}=1mA$, $V_{IN}: 0\rightarrow 2V$	-	0.84	0.90	V

V_{hold}	Oscillation Hold Voltage	$I_{OUT}=1mA, V_{IN}: 2 \rightarrow 0V$	-	0.33	-	V
I_{DD1}	Supply Current 1	No external component $V_{OUT}=V_{OUT} \times 0.95,$	-	85	-	μA
I_{DD2}	Supply Current 2	No external component $V_{OUT}=V_{OUT}+0.5V$	-	7	-	μA
I_{DD3}	Supply Current 3	No external component $V_{OUT}=V_{OUT}+0.5V, V_{CE}=0V$	-	-	1.0	μA
I_{LX}	Lx Switching Current	No external component $V_{LX}=0.4V, V_{OUT}=\text{set } V_{OUT} \times 0.95$	-	100	-	mA
I_{LXleak}	Lx Leakage Current	$V_{OUT}=V_{LX}=6V$	-	-	0.5	μA
F_{osc}	Oscillation Frequency	$V_{OUT}=\text{set } V_{OUT} \times 0.95$	-	360	-	KHz
Maxdty	Duty Ratio	on(V_{LX} “L”)side	-	77	-	%
EFFI	Efficiency		-	85	-	%

ME2110C33 $F_{osc}=360KHz$ ($V_{IN}=V_{OUT} \times 0.6, V_{CE}=V_{OUT}, I_{OUT}=10mA, T_{opt}=25^{\circ}C$. Unless otherwise specified)

Symbol	Parameter	Conditions	Min	Typ	Max	Units
V_{OUT}	Output Voltage		$V_{OUT} \times 0.98$	V_{OUT}	$V_{OUT} \times 1.02$	V
V_{start}	Oscillation Start-up Voltage	$I_{OUT}=1mA, V_{IN}: 0 \rightarrow 2V$	-	0.84	0.90	V
V_{hold}	Oscillation Hold Voltage	$I_{OUT}=1mA, V_{IN}: 2 \rightarrow 0V$	-	0.33	-	V
I_{DD1}	Supply Current 1	No external component $V_{OUT}=V_{OUT} \times 0.95,$	-	110	-	μA
I_{DD2}	Supply Current 2	No external component $V_{OUT}=V_{OUT}+0.5V$	-	7	-	μA
I_{DD3}	Supply Current 3	No external component $V_{OUT}=V_{OUT}+0.5V, V_{CE}=0V$	-	-	1.0	μA
I_{LX}	Lx Switching Current	No external component $V_{LX}=0.4V, V_{OUT}=\text{set } V_{OUT} \times 0.95$	-	100	-	mA
I_{LXleak}	Lx Leakage Current	$V_{OUT}=V_{LX}=6V$	-	-	0.5	μA
F_{osc}	Oscillation Frequency	$V_{OUT}=\text{set } V_{OUT} \times 0.95$	-	360	-	KHz
Maxdty	Duty Ratio	on(V_{LX} “L”)side	-	77	-	%
EFFI	Efficiency		-	85	-	%

ME2110C50 $F_{osc}=310KHz$ ($V_{IN}=V_{OUT} \times 0.6, V_{CE}=V_{OUT}, I_{OUT}=10mA, T_{opt}=25^{\circ}C$. Unless otherwise specified)

Symbol	Parameter	Conditions	Min	Typ	Max	Units
V_{OUT}	Output Voltage		$V_{OUT} \times 0.98$	V_{OUT}	$V_{OUT} \times 1.02$	V
V_{start}	Oscillation Start-up Voltage	$I_{OUT}=1mA, V_{IN}: 0 \rightarrow 2V$	-	0.85	0.90	V
V_{hold}	Oscillation Hold Voltage	$I_{OUT}=1mA, V_{IN}: 2 \rightarrow 0V$	-	0.38	-	V
I_{DD1}	Supply Current 1	No external component $V_{OUT}=V_{OUT} \times 0.95,$	-	165	-	μA
I_{DD2}	Supply Current 2	No external component $V_{OUT}=V_{OUT}+0.5V$	-	8	-	μA
I_{DD3}	Supply Current 3	No external component $V_{OUT}=V_{OUT}+0.5V, V_{CE}=0V$	-	-	1.0	μA

I_{LX}	Lx Switching Current	No external component $V_{LX}=0.4V, V_{OUT}=\text{set } V_{OUT} \times 0.95$	-	110	-	mA
I_{LXleak}	Lx Leakage Current	$V_{OUT}=V_{LX}=6V$	-	-	0.5	μA
F_{osc}	Oscillation Frequency	$V_{OUT}=\text{set } V_{OUT} \times 0.95$	-	310	-	KHz
Maxdty	Duty Ratio	on(V_{LX} "L")side	-	74	-	%
EFFI	Efficiency		-	85	-	%

ME2110A50 $F_{osc}=310\text{KHz}(V_{IN}=V_{OUT} \times 0.6, I_{OUT}=10\text{mA}, T_{opt}=25^{\circ}\text{C}$. Unless otherwise specified)

Symbol	Parameter	Conditions	Min	Typ	Max	Units
V_{OUT}	Output Voltage		$V_{OUT} \times 0.98$	V_{OUT}	$V_{OUT} \times 1.02$	V
V_{start}	Oscillation Start-up Voltage	$I_{OUT}=1\text{mA}, V_{IN}: 0 \rightarrow 2V$	-	0.85	0.90	V
V_{hold}	Oscillation Hold Voltage	$I_{OUT}=1\text{mA}, V_{IN}: 2 \rightarrow 0V$	-	0.38	-	V
I_{DD1}	Supply Current 1	No external component $V_{OUT}=V_{OUT} \times 0.95,$	-	165	-	μA
I_{DD2}	Supply Current 2	No external component $V_{OUT}=V_{OUT}+0.5V$	-	8	-	μA
I_{LX}	Lx Switching Current	No external component $V_{LX}=0.4V, V_{OUT}=\text{set } V_{OUT} \times 0.95$	-	110	-	mA
I_{LXleak}	Lx Leakage Current	$V_{OUT}=V_{LX}=6V$	-	-	0.5	μA
F_{osc}	Oscillation Frequency	$V_{OUT}=\text{set } V_{OUT} \times 0.95$	-	310	-	KHz
Maxdty	Duty Ratio	on(V_{LX} "L")side	-	74	-	%
EFFI	Efficiency		-	85	-	%

Note: 1、Diode use Schottky diode such as IN5817 or IN5819 (forward voltage drop:0.2V)

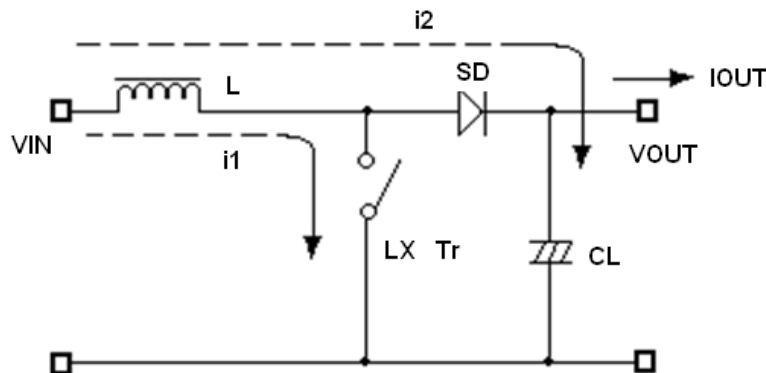
2、Inductor: $22\mu H$ ($r < 0.5\Omega$)

3、Capacitor: Tantalum type $100\mu F$

4、When you measure frequency and duty ratio, only to connect the resistance of 1.2K between L_X and V_{OUT} .

Operation Description

ME2110 step-up DC/DC converter charges energy in the inductor when Lx Transistor is on, and discharges the energy with the addition of the energy from input power source thereto, so that a higher output voltage than the input voltage is obtained. Following is the operation diagram.



Switching DC/DC Step up Converter operating process

Selection of Peripheral Components and Application Notes

- Power source for battery-powered equipment
- Power source for wireless mouse, wireless keyboard, toys, cameras, camcorders, VCRs, PDAs, and hand-held communication equipment
- Power source for appliances which require higher cell voltage than that of batteries used in the appliances
- Peripheral components should be selected carefully because they are greatly affect the performances of ME2110:

- ✧ Use capacitor with a capacity of 10 μ F or more (too small capacity will lead to high output ripple), and with good frequency characteristics (it is better to use Tantalum type). Besides, it is recommended the use of a capacitor with an allowable voltage which is at least three times the output set voltage. This is because there may be the case where a spike-shaped high voltage is generated by the inductor when Lx transistor is turned OFF.

- ✧ Choose such an inductor that has sufficiently small d.c. resistance and large allowable current, and hardly reaches magnetic saturation. When the inductance value of the inductor is small, there may be the case where ILX exceeds the absolute maximum ratings at the maximum load.

- ✧ Use a diode of a Schottky type with high switching speed.

- PCB Layout:

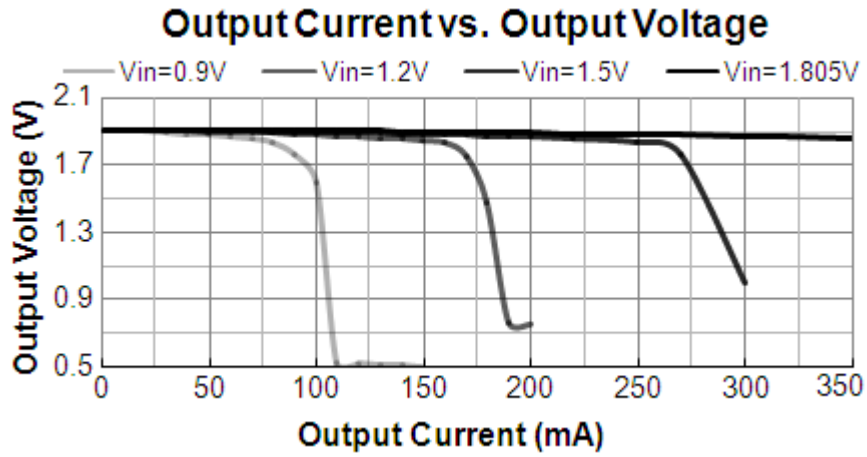
- ✧ Set external components as close as possible to the IC and minimize the connection between the components and the IC. In particular, when an external component is connected to V_{OUT} Pin, make minimum connection with the capacitor.

- ✧ Make V_{SS} pin sufficient grounding, otherwise, the zero level within IC will varied with the switching current. This may result in unstable operation of IC.

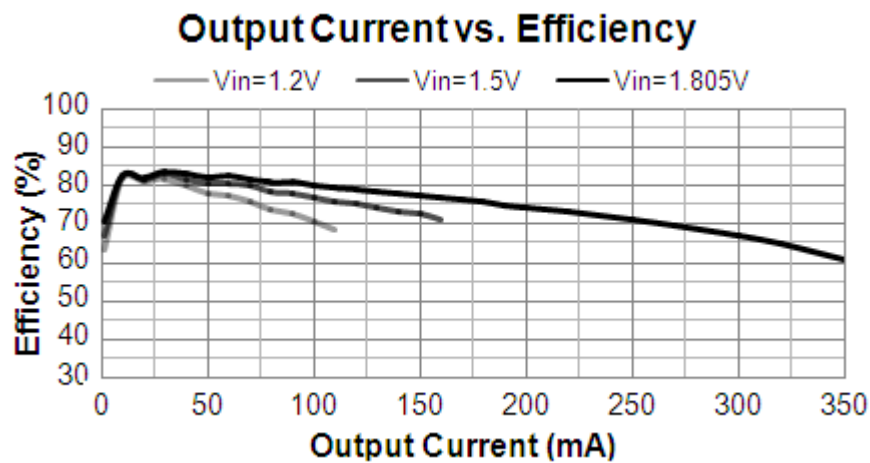
Type Characteristics (Ta = 25 °C)

ME2110A19

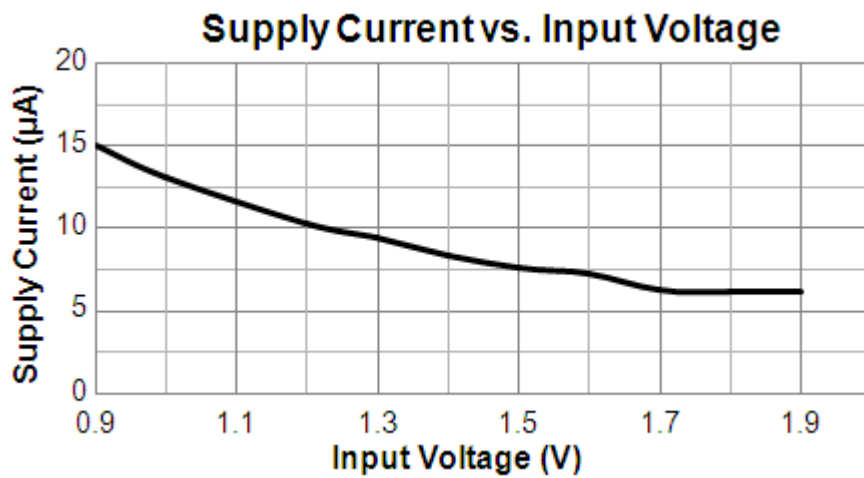
(1)



(2)

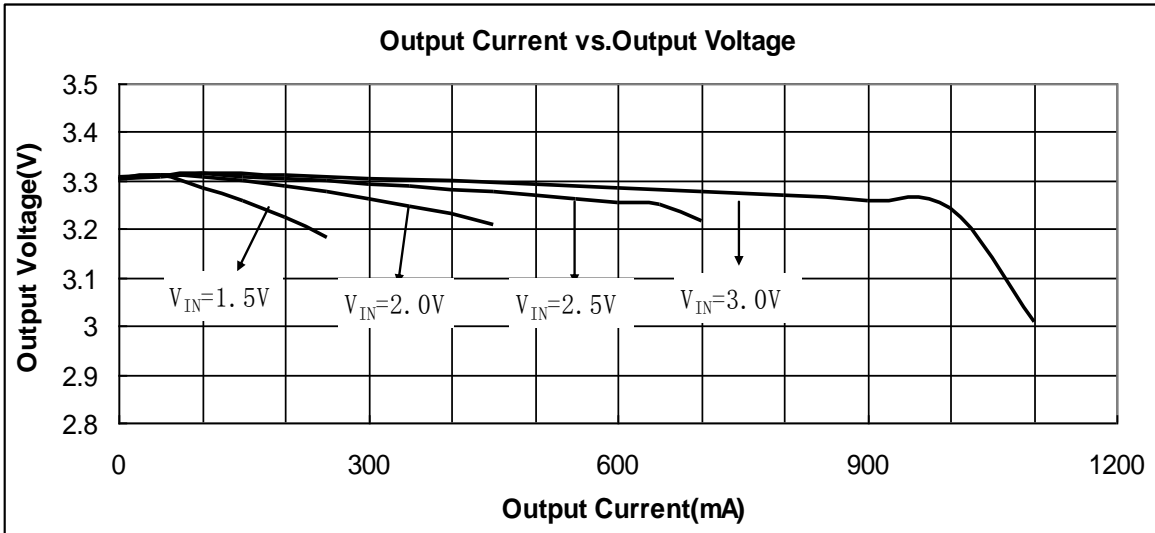


(3)

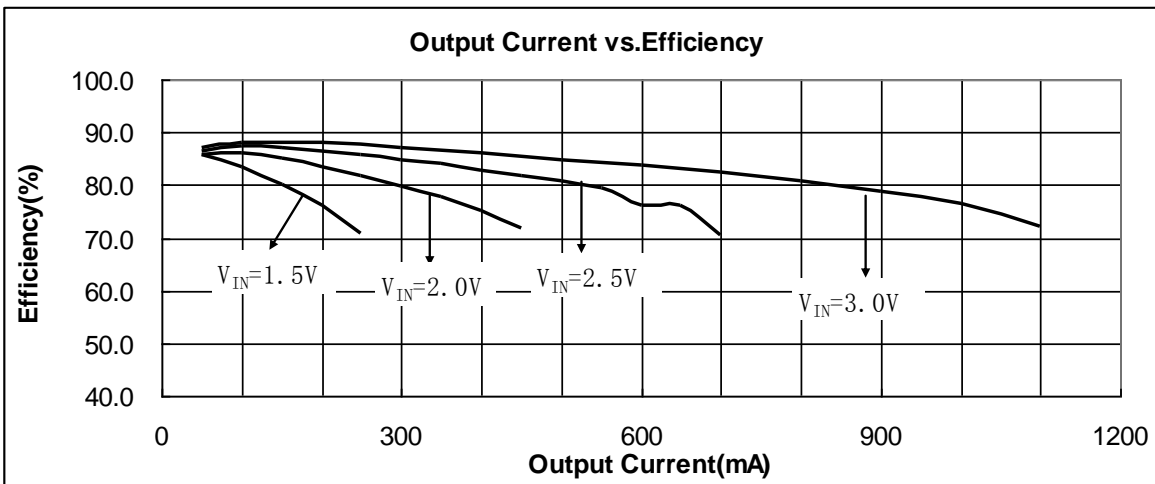


ME2110C33

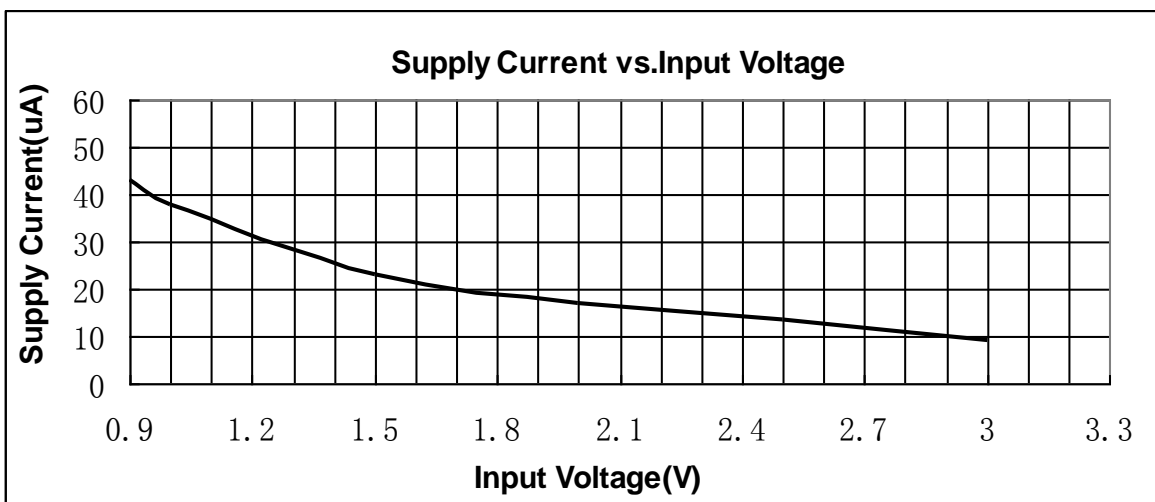
(1)



(2)

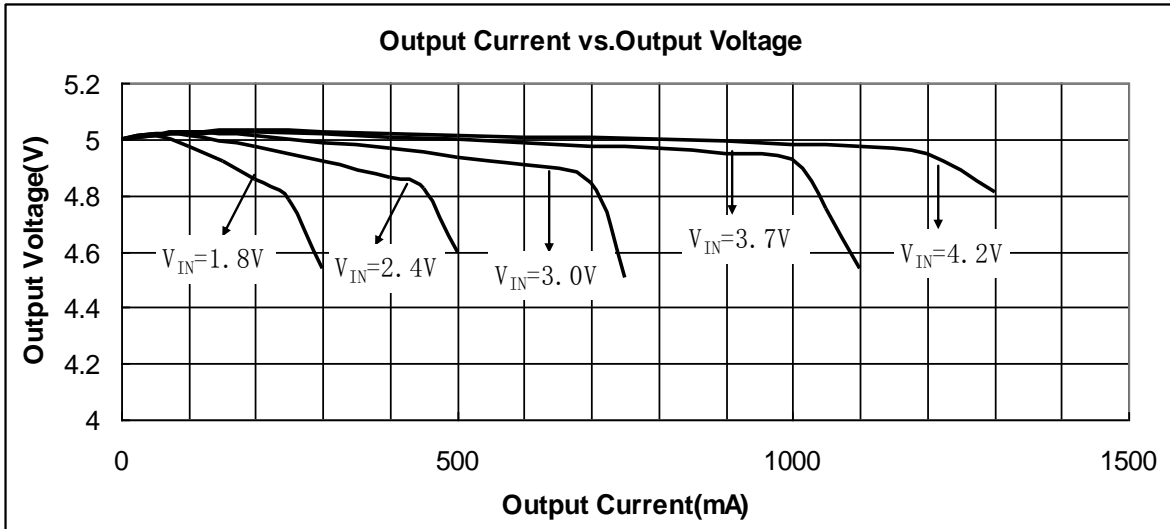


(3)

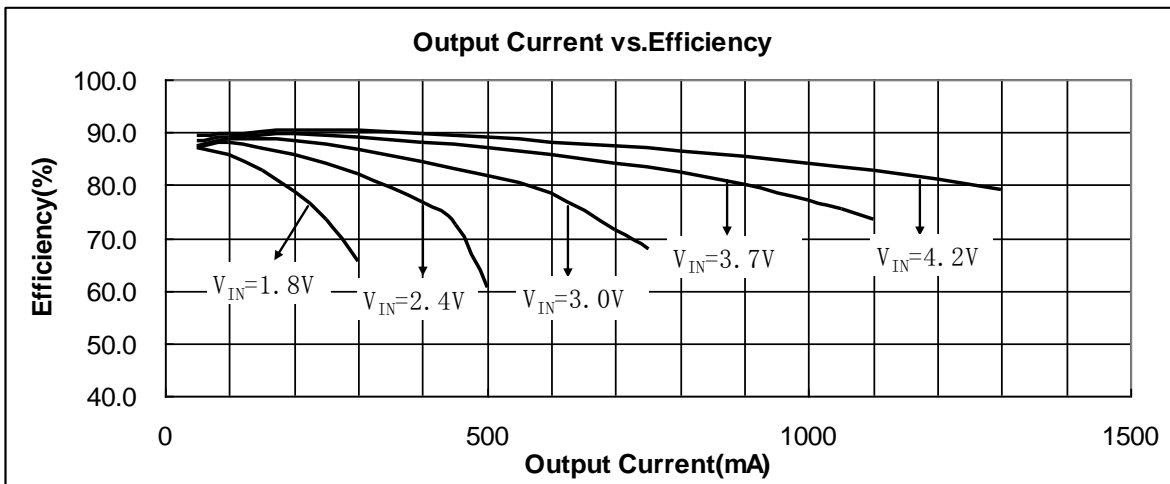


ME2110C50

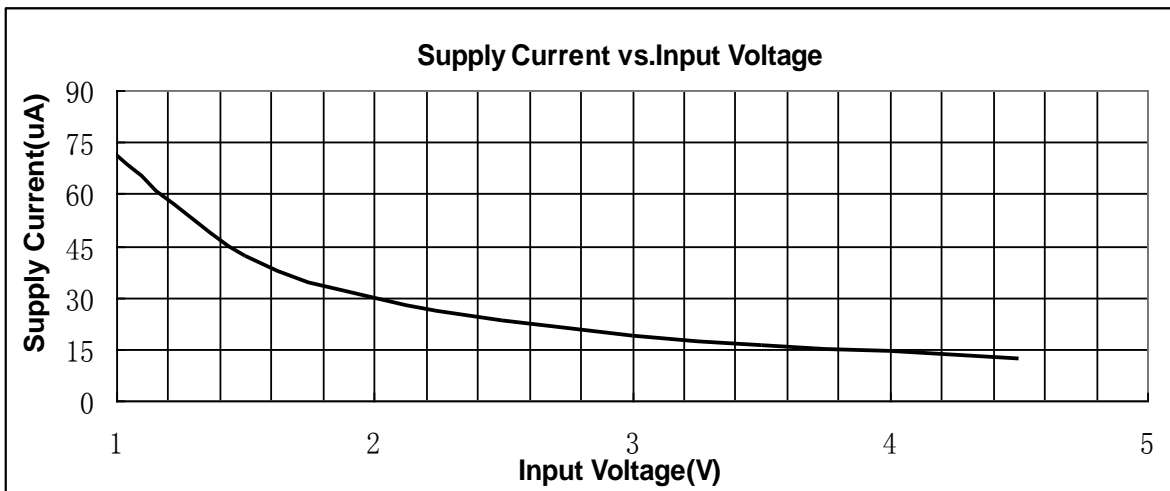
(1)



(2)

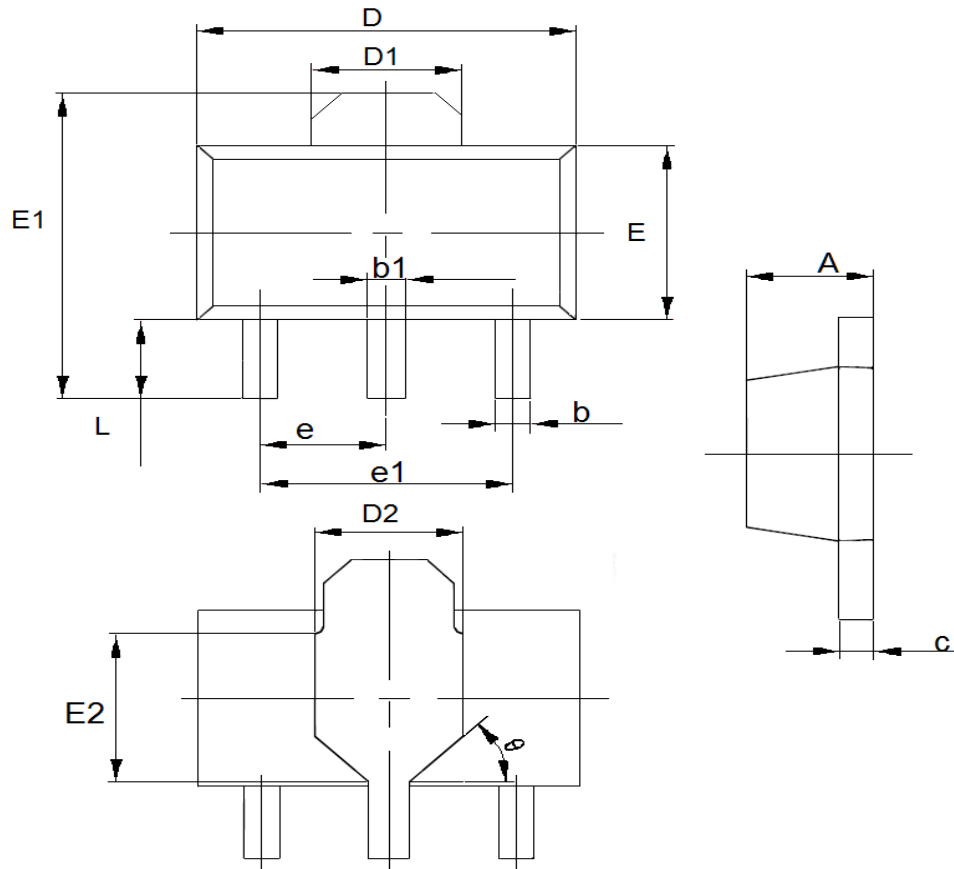


(3)



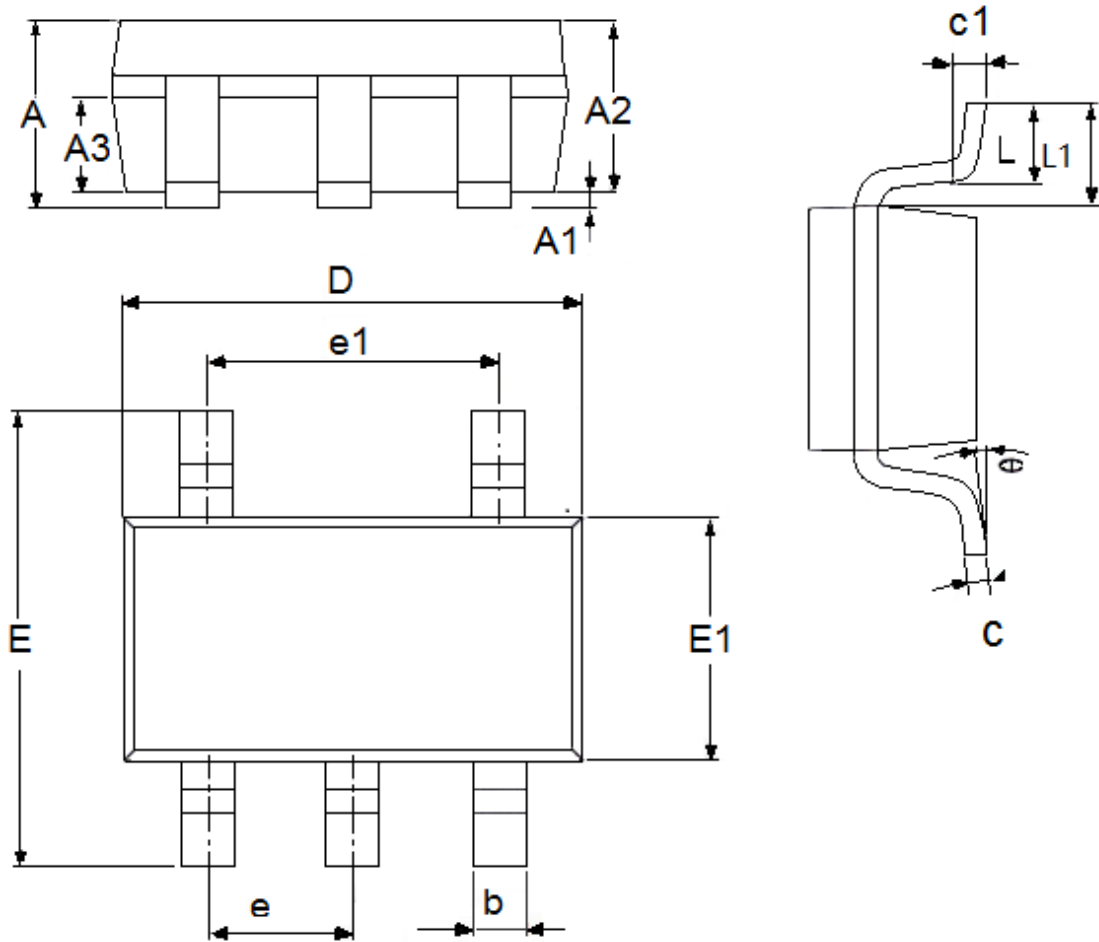
Package Information

- Packaging Type: SOT89-3



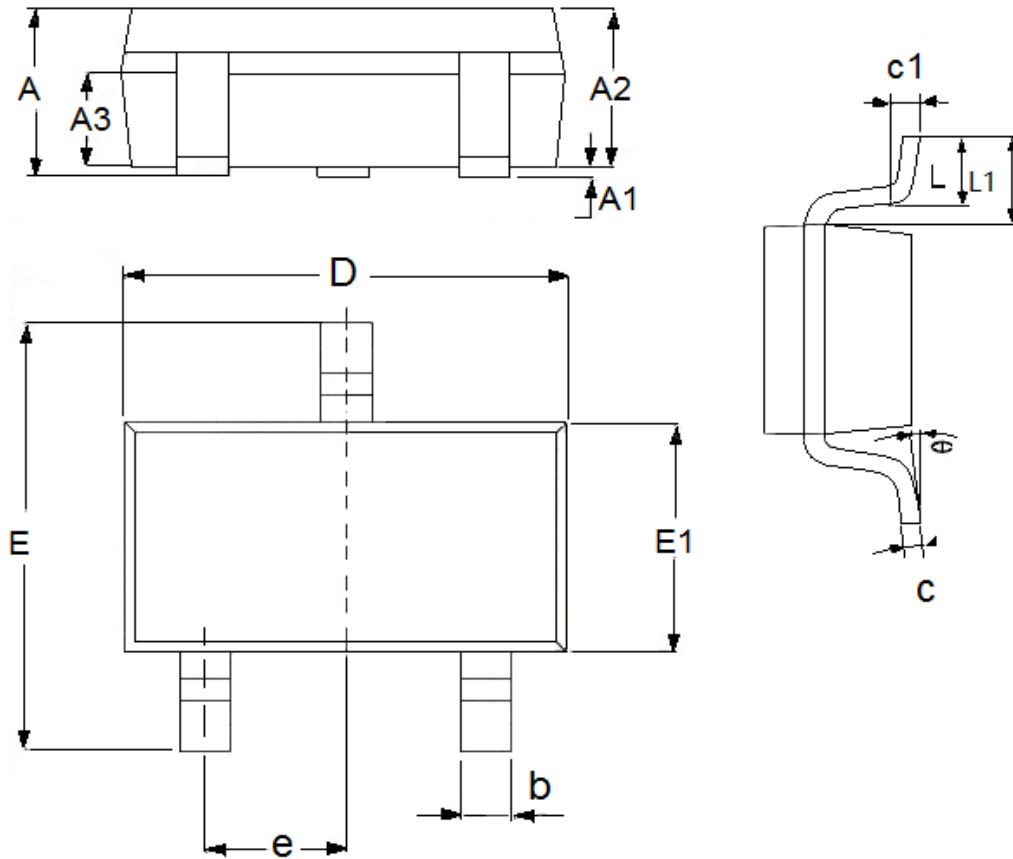
DIM	Millimeters		Inches	
	Min	Max	Min	Max
A	1.4	1.6	0.0551	0.0630
b	0.32	0.52	0.0126	0.0205
b1	0.4	0.58	0.0157	0.0228
c	0.35	0.45	0.0138	0.0177
D	4.4	4.6	0.1732	0.1811
D1	1.55(TYP)		0.061(TYP)	
D2	1.75(TYP)		0.0689(TYP)	
e1	3.0(TYP)		0.1181(TYP)	
E	2.3	2.6	0.0906	0.1023
E1	3.94	4.4	0.1551	0.1732
E2	1.9(TYP)		0.0748(TYP)	
e	1.5(TYP)		0.0591(TYP)	
L	0.8	1.2	0.0315	0.0472
theta	45°		45°	

● Packaging Type: SOT23-5



DIM	Millimeters		Inches	
	Min	Max	Min	Max
A	1.05	1.45	0.0413	0.0571
A1	0	0.15	0.0000	0.0059
A2	0.9	1.3	0.0354	0.0512
A3	0.6	0.7	0.0236	0.0276
b	0.25	0.5	0.0098	0.0197
c	0.1	0.23	0.0039	0.0091
D	2.82	3.05	0.1110	0.1201
e1	1.9(TYP)		0.0748(TYP)	
E	2.6	3.05	0.1024	0.1201
E1	1.5	1.75	0.0512	0.0689
e	0.95(TYP)		0.0374(TYP)	
L	0.25	0.6	0.0098	0.0236
L1	0.59(TYP)		0.0232(TYP)	
θ	0	8°	0.0000	8°
c1	0.2(TYP)		0.0079(TYP)	

● Packaging Type: SOT23-3



DIM	Millimeters		Inches	
	Min	Max	Min	Max
A	1.05	1.45	0.0413	0.0571
A1	0	0.15	0.0000	0.0059
A2	0.9	1.3	0.0354	0.0512
A3	0.6	0.7	0.0236	0.0276
b	0.25	0.5	0.0098	0.0197
c	0.1	0.25	0.0039	0.0098
D	2.8	3.1	0.1102	0.1220
E	2.6	3.1	0.1023	0.1220
E1	1.5	1.8	0.0591	0.0709
e	0.95(TYP)		0.0374(TYP)	
L	0.25	0.6	0.0098	0.0236
L1	0.59(TYP)		0.0232(TYP)	
θ	0	8°	0.0000	8°
c1	0.2(TYP)		0.0079(TYP)	

- The information described herein is subject to change without notice.
- Nanjing Micro One Electronics Inc is not responsible for any problems caused by circuits or diagrams described herein whose related industrial properties, patents, or other rights belong to third parties. The application circuit examples explain typical applications of the products, and do not guarantee the success of any specific mass-production design.
- Use of the information described herein for other purposes and/or reproduction or copying without the express permission of Nanjing Micro One Electronics Inc is strictly prohibited.
- The products described herein cannot be used as part of any device or equipment affecting the human body, such as exercise equipment, medical equipment, security systems, gas equipment, or any apparatus installed in airplanes and other vehicles, without prior written permission of Nanjing Micro One Electronics Inc.
- Although Nanjing Micro One Electronics Inc exerts the greatest possible effort to ensure high quality and reliability, the failure or malfunction of semiconductor products may occur. The user of these products should therefore give thorough consideration to safety design, including redundancy, fire-prevention measures, and malfunction prevention, to prevent any accidents, fires, or community damage that may ensue.